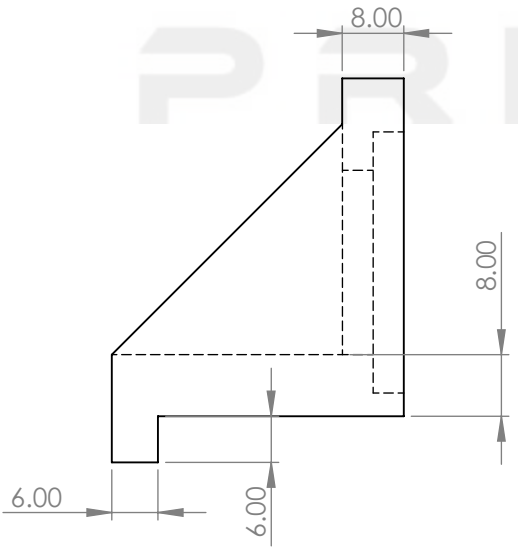
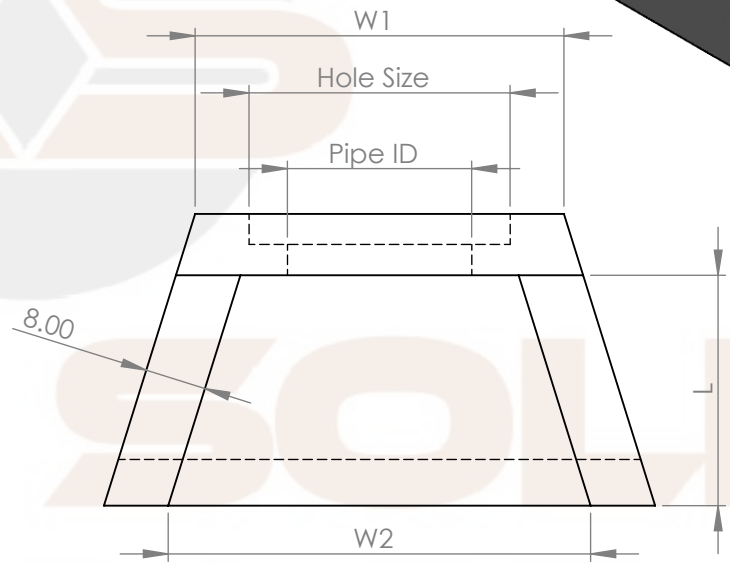
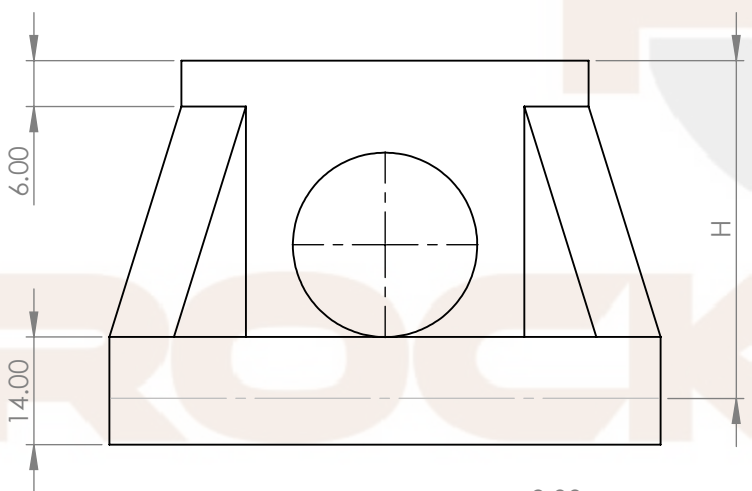
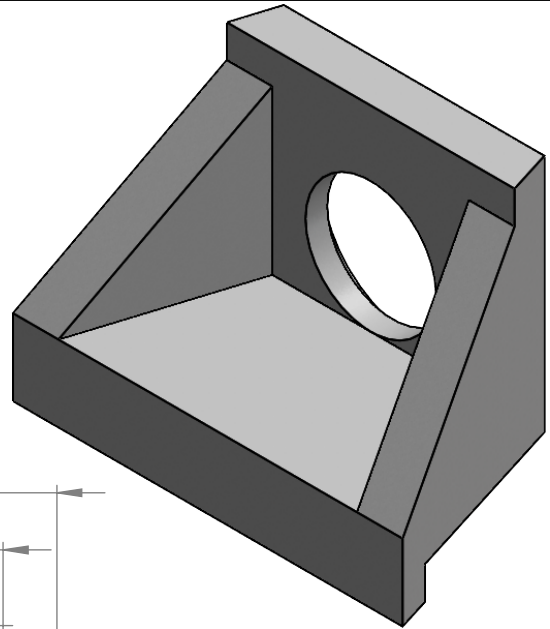


Pipe ID	Hole Size	H	W1	W2	Weight (Lbs)
12"	21"	42"	48"	55"	3,297
15"	24"	42"	48"	55"	3,280
18"	27"	42"	48"	55"	3,272
24"	32"	42"	48"	55"	3,255
30"	42"	54"	72"	78"	5,298
36"	48"	54"	72"	78"	5,278
42"	56"	74"	96"	110"	8,642
48"	64"	74"	96"	110"	8,580



**Concrete**  
28 day compressive strength of 4,500 PSI

**Cement**  
Per ASTM C150: Type I

**Reinforcement**  
Rebar per ASTM A615 Grade 60

**Rock Solid Precast, L.P.**

11393 Sleepy Hollow Road  
Conroe, TX 77385

PO Box 8066  
The Woodlands, TX 77387

(281) 364-7474

TITLE

**Standard Headwall Submittal**

DWG. NO. Standard Headwall

DRAWN/CHECKED WEIGHT

**PROPRIETARY AND CONFIDENTIAL**  
THE INFORMATION CONTAINED IN THIS DRAWING IS THE SOLE PROPERTY OF ROCK SOLID PRECAST, LP. ANY REPRODUCTION IN PART OR AS A WHOLE WITHOUT THE WRITTEN PERMISSION OF ROCK SOLID PRECAST, LP IS PROHIBITED.